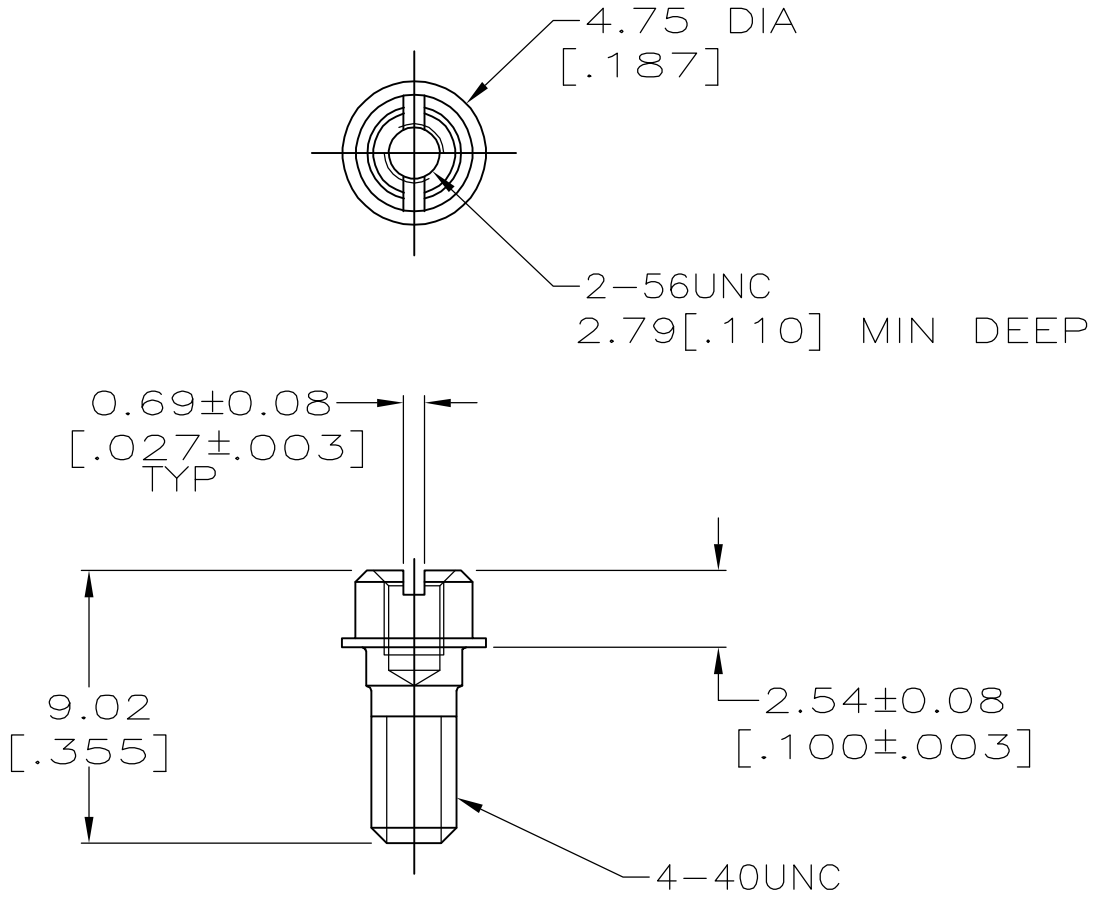


LOC GP	DIST 00	REVISIONS			
P	LTR	DESCRIPTION	DATE	DWN	APVD
	D1	ECO-05-009847	10FEB06	BM	SS

⚠ SUPERSEDED BY RESTRICTED CUSTOMER DRAWING  
750644-3.



RELEASED FOR PUBLICATION

ALL RIGHTS RESERVED.

BY TYCO ELECTRONICS CORPORATION.

THIS DRAWING IS UNPUBLISHED.

© COPYRIGHT

	-	-	750644-3	⚠
OBSOLETE	BULK	1000	750644-2	
	INDIVIDUALLY	2	750644-1	
	PACKAGING TYPE	QTY	PART NO	

DIMENSIONS: INCHES	DWN J McCLINTON 12-13-90	MATERIAL STAINLESS STEEL	FINISH -
	CHK R.STONE 1-14-91	<b>tyco</b> <b>Electronics</b> Tyco Electronics Corporation Harrisburg, PA 17105-3608	
TOLERANCES UNLESS OTHERWISE SPECIFIED:	APVD -	NAME SCREWLOCK KIT, FEMALE, UNASSEMBLED, AMPLIMITE™ .050 SERIES	
0 PLC ± -	PRODUCT SPEC -	SIZE A4	CAGE CODE 00779
1 PLC ± -	APPLICATION SPEC -	DRAWING NO C-750644	RESTRICTED TO -
2 PLC ± 0.13[.005]	WEIGHT -	SCALE 4:1	
3 PLC ± -		SHEET 1 OF 1	
4 PLC ± -		REV D1	
ANGLES ± -		CUSTOMER DRAWING	